

Zenith HydroTap for your home



PURE-TASTING | INSTANT | **BOILING** | CHILLED | **SPARKLING**



POWERED BY
G5
TECHNOLOGY

Water at its best

Experience water at its best with HydroTap at home

Pure-tasting boiling, chilled and sparkling water in an instant, delivered seamlessly with a Zenith HydroTap. There is a HydroTap to suit every home. A Zenith HydroTap can be a simple addition to your current kitchen, butler's pantry or beverage station or part of a larger kitchen renovation, Zenith service technicians are expert professionals who can install your HydroTap in your home.

Add a HydroTap in addition to your existing mixer tap

Have the best of both worlds by adding a HydroTap over your kitchen sink to access pure-tasting boiling, chilled and sparkling water instantly. We have a wide range of HydroTap styles that will complement your existing sink mixer tap.



Choose a HydroTap with a new matching mixer tap

If you want to match your sink mixer tap with your new HydroTap, we also offer mixer tap styles in 7 modern finishes to complement any kitchen.



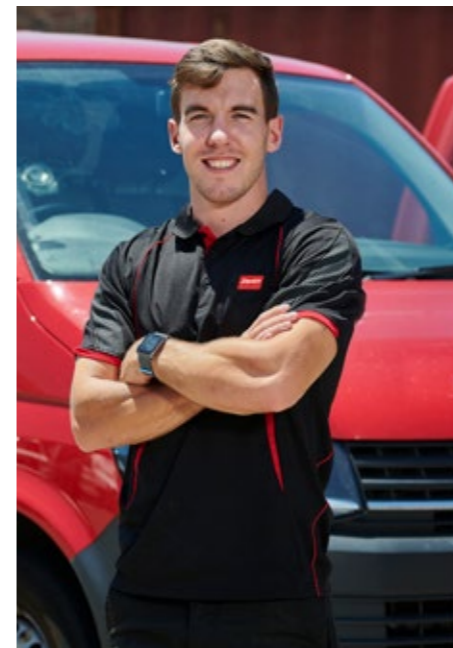
Add a HydroTap onto a benchtop

Add a HydroTap on a kitchen island or butler's pantry for a designer hydration station in your home. A HydroTap can be installed on a counter with a matching font to catch any excess water.



The ultimate all-in-one solution for all your water needs

Our most popular HydroTap All-In-One style offers an integrated system with filtered drinking water, plus hot and cold tap water for washing up, all from the one elegant tap. Streamline your bench space and declutter your kitchen.



Installing a Zenith HydroTap has never been easier

Let Zenith Water take care of your HydroTap installation, with our premium installation service. Our team of highly skilled service technicians and regional service providers are available to install your HydroTap in any kitchen*.

Our service technicians can also help maintain your HydroTap. Access the simple online booking form at zenithwater.co.nz

* Available where suitable power, water and drainage are available within 1 metre of the installation location. Excludes cutting of stone countertops, cabinetry and major plumbing modifications.

Say hello to Classic Plus & Elite Plus

Enjoy pure-tasting boiling, chilled and sparkling water instantly with Zenith HydroTap, powered by our most advanced G5 technology.

Sleek design meets slick function

With simple, intuitive controls including continuous flow to fill bottles and coming in seven ultra-modern finishes, HydroTap Classic Plus and Elite Plus will add designer style to any kitchen.

Smarter and more personalised

Create your preferred settings with a few touches using the optimised new menu in the HydroTap G5 command centre. Select energy modes and usage settings for easier customisation.

Setting the hygiene standard

Zenith HydroTap G5 has antimicrobial protection impregnated within key water surfaces as well as on the new touch-pad for enhanced hygiene.



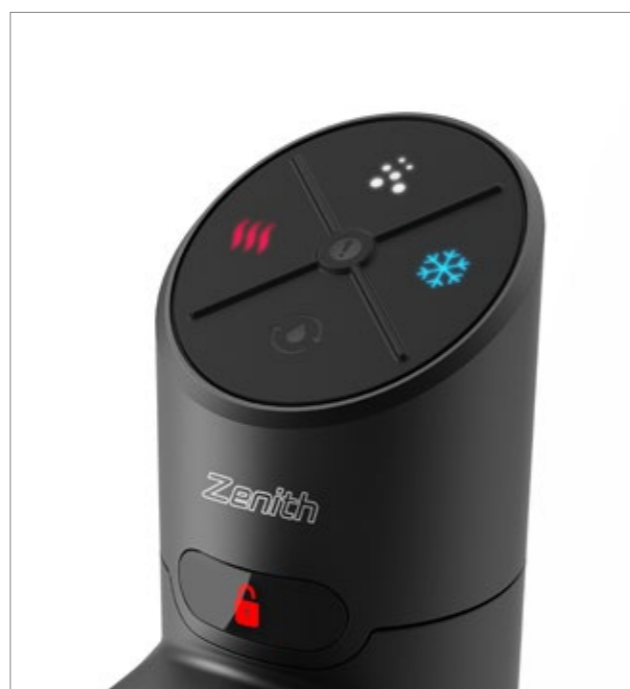
Classic Plus

Elite Plus



Classic Plus - 2021 Accolade Winner

in the Product Design Domestic Appliances category in recognition for outstanding design and innovation.



Introducing Celsius Plus All-In-One

An integrated system from a single tap, the Zenith HydroTap Celsius Plus All-In-One offers form and function in a beautiful arc design.

One tap, five water types

The HydroTap Celsius Plus All-In-One seamlessly delivers instant filtered boiling, chilled and sparkling drinking water, plus unfiltered hot and cold water for washing up, all from one carefully engineered tap. The buttons operate filtered drinking water, while the lever dispenses unfiltered hot and cold water.

Enhanced sparkling water experience

With an optimised aerator hidden inside the elegant spout of the tap, you'll be guaranteed delicious sparkling water delivery each time.



AVAILABLE FROM YOUR NEAREST SHOWROOM



Intuitive water selection

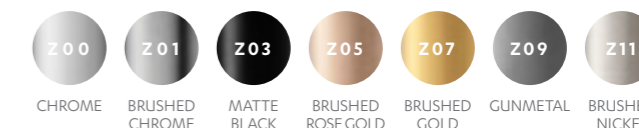
The HydroTap Celsius Plus All-In-One can be operated at the press of a button, featuring our intuitive touch-pad which has antimicrobial protection for enhanced hygiene.

Streamline your kitchen

Eliminate the need for a kettle for boiling water. No more bottles for chilled and sparkling water. The HydroTap Celsius Plus All-In-One is ideal for kitchens looking to declutter the benchtop for clean, minimalist living.

Featured product: HydroTap Celsius Plus All-In-One in Brushed Chrome

AVAILABLE IN 7 MODERN FINISHES TO SUIT ANY KITCHEN



The latest innovation in Zenith HydroTap G5 Our most eco-friendly HydroTap*



Designed for sustainability

Includes a more eco-friendly refrigeration system

Zenith HydroTap now uses R290 refrigerant gas delivering a 95% reduction in Global Warming Potential (GWP) compared to the previous refrigerant gas used.

100% water efficient

Using air-cooling technology to deliver perfectly chilled water means the Zenith HydroTap is 100% water efficient as no water is used in the chilling process.

Improved energy efficiency

The new front fascia and integrated airflow vent design in the command centre of the Zenith HydroTap enables improved energy efficiency, allowing air to be expelled out of the cupboard more quickly and efficiently.

At high usage periods, the HydroTap continues to deliver consistent chilled water while optimising energy efficiency by up to 24%. In standby mode, the HydroTap is 10% more energy efficient while ensuring consistent chilled temperatures on demand.



*when compared to preceding HydroTap models

The widest range of designs and finishes



Classic Plus

Elite Plus

Arc Plus

Cube Plus

Celsius

Celsius Plus All-In-One

Water at its best with Zenith HydroTap

Convenience at the touch of a button

With filtered boiling, chilled and sparkling, plus hot and cold water instantly, we offer the widest choice of water options on the market. So, whether you're filling a plunger of coffee, a glass of cool, crisp drinking water or a sink of washing up water, the choice is at your fingertips.



FILTERED
BOILING



FILTERED
CHILLED



FILTERED
SPARKLING



FILTERED
AMBIENT



UNFILTERED
HOT & COLD

Powered by our latest G5 technology

Embodying functionality, the HydroTap is ideal for those who want appliances that save time, reduce energy, are straightforward to use, simple to maintain and make life in the kitchen a whole lot easier.

Access pure-tasting water thanks to our advanced MicroPurity filtration. Say goodbye to bottled water taking up valuable fridge space and slow, energy-guzzling kettles cluttering your countertops. Welcome the convenience of cooking, sterilising bottles and making tea or coffee with instant boiling water and the handiness of pouring a perfectly chilled still or sparkling glass of water whenever you need it.



What's in your water—and what do our filters reduce?

Understanding the 8 most harmful contaminants

1 PFAS

Per- and polyfluoroalkyl substances (PFAS) are synthetic chemicals widely used in industrial and consumer products.

PFAS do not easily break down in the environment, leading to persistent contamination in water sources. Studies have linked PFAS exposure to serious health risks.



2 Microplastic Consumption

Microplastics consumption from drinking water is a growing concern with the average person consuming a credit cards worth every week.



Although microplastics are present in a variety of foods, drinking water—especially bottled water—is often one of the most significant sources of exposure, at times exceeding levels found in seafood or salt.



6 Cysts (including Cryptosporidium & Giardia)

Cysts - such as Cryptosporidium & Giardia, can cause severe gastrointestinal illness upon ingestion.

3 Chlorine, Taste & Odour

Chlorine and other contaminants can leave unpleasant tastes and odours in your water.

4 Particulates (>0.2 micron)

Particles in your water can cause it to be cloudy or discoloured.

5 Asbestos

Microscopic asbestos fibers can lead to severe health issues, including lung diseases and cancers.

7 Lead

Lead exposure can result in serious, long-term health problems, particularly neurological damage and developmental issues in children.

8 Bacteriostatic effects

Actively inhibits bacterial growth and biofilm formation, thereby maintaining the water's purity and long-term safety.

Zenith MicroPurity 8 in 1 filtration

The clear choice for clean, pure-tasting water

Choose a genuine Zenith MicroPurity™ filter for your HydroTap. Our Zenith MicroPurity™ filtration technology offers advanced protection against harmful contaminants, including PFAS and microplastics.

Our 0.2-micron filters are certified to reduce the 8 most harmful contaminants, even those you can't smell, see, or taste including:

- PFAS*
- Microplastics
- Asbestos
- Sediment > 0.2 Micron
- Lead
- Chlorine taste and odour
- Bacteriostatic effects
- Cryptosporidium, Giardia

Regular filter replacements and servicing are necessary to ensure optimal performance and water quality of these drinking water filtration systems. We recommend Zenith MicroPurity 0.2 micron filters to be changed every 12 months for residential HydroTap systems and every 6 months for commercial HydroTap systems.



*Zenith MicroPurity filters sizes 1 and 1.5 (93701 & 93702) are certified to NSF/ANSI Standard 53 to reduce 99.4% of Total PFAS (average reduction).



Triple Action Technology for superior filtration

1. Removes particulates greater than 10 micron
Pleated membrane pre-filtration

2. Reduces total PFAS, sediment, microplastics, lead, chlorine taste and odour, bacteriostatic effects, asbestos and cysts to 0.2 micron.
0.2 micron treated carbon block

3. Reduces limescale build up
Limescale inhibitor



The sustainable choice

Sitting beneath a sleek and stylish tap, the HydroTap houses the latest in advanced energy efficient technology.

Eliminates the need for bottled water
reducing your environmental impact



Eliminates the need for kettles
for highly efficient instant boiling water delivery

Utilises air-cooled technology,
making HydroTap 100% water efficient

World class environmental credentials
providing transparent product life cycle impact

More eco-friendly Refrigeration System
using R290 Low Global Warming Potential (GWP) refrigerant gas.

Smart energy saving modes
that powers down the unit when not in use

#oceancrusaders.org/plastic-crusades/plastic-statistics/

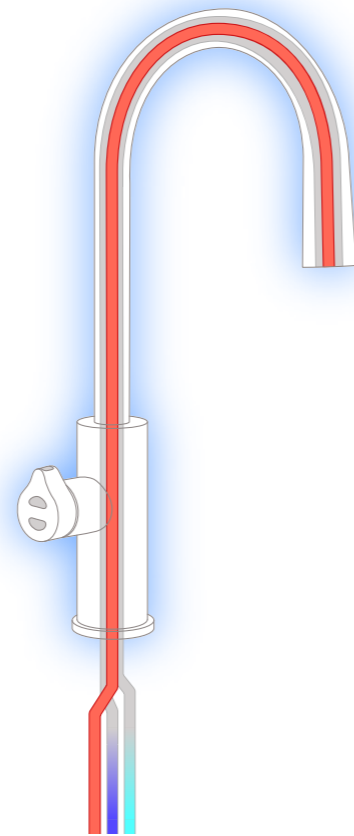
The safest instant boiling water

Boiling water safety lock

Unique boiling water dispensing safety features requires a dual action reducing the likelihood of accidentally activating the boiling water which means little ones are safer.

Cool touch tap

The HydroTap is cool to the touch and does not produce any spluttering steam, which means it is always safe to use.



The Zenith service difference



Our highly skilled network of mobile technicians and friendly customer service team are here to help keep your Zenith products in top working order. Our expert technicians install HydroTaps across residential and commercial kitchens, and we can help to maintain any drinking water systems.

National coverage

Zenith Water employs over 65 technicians and regional service providers offering installation and ongoing filter and CO2 changes, covering the North and South Islands.

Professional repairs and maintenance

Zenith technicians are highly skilled, specialised and factory trained with years of experience to ensure you receive efficient, reliable and prompt service and repairs.

Fast and efficient

Every Zenith service technician carries a range of spare parts, genuine filters and CO2 canisters to repair on first time attendance, which means you can get back to enjoying your fresh, filtered water in no time.

Customer satisfaction

We aim to provide our customers with professional care at a high standard and take pride on our level of service.

Zenith installation service

Zenith Water offers an installation service with our team of highly skilled service technicians and regional service providers available to install your HydroTap in any kitchen*.

* Available where suitable power, water and drainage are available within 1 metre of the installation location. Excludes cutting of stone countertops, cabinetry and major plumbing modifications.



HydroTap Product Selector

1. Choose your water option...

Classic

FILTERED: BOILING CHILLED SPARKLING	FILTERED: BOILING CHILLED	FILTERED: CHILLED SPARKLING	FILTERED: CHILLED	FILTERED: BOILING AMBIENT	FILTERED: BOILING
🔥❄️💧	🔥❄️	❄️💧	❄️	🔥💧	🔥

2. Choose your tap style...

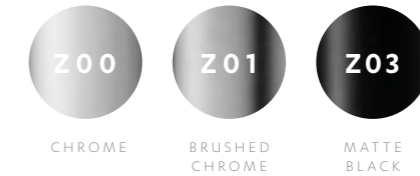


Classic Plus

3. Choose your colour & finish...

Popular finish options

Available for all classic and design range HydroTaps. Whether you opt for a classic Chrome or stylish Matte Black, our range of timeless popular finishes has been designed to sit seamlessly in a wide range of kitchen designs, from contemporary to traditional.



Design

FILTERED: BOILING CHILLED SPARKLING	FILTERED: BOILING CHILLED	FILTERED: CHILLED SPARKLING	FILTERED: CHILLED	FILTERED: BOILING AMBIENT	FILTERED: BOILING
🔥❄️💧	🔥❄️	❄️💧	❄️	🔥💧	🔥



Arc Plus Cube Plus Elite Plus

Celsius All-In-One

FILTERED: BOILING AMBIENT	UNFILTERED: HOT & COLD	FILTERED: CHILLED SPARKLING	UNFILTERED: HOT & COLD
🔥💧	🔥❄️	❄️💧	🔥❄️



Celsius

Platinum finish options

Available for all HydroTaps and Celsius taps only. Taking the HydroTap from a kitchen appliance you can't live without to a striking design accessory, our platinum finish options include four stylish metallic finishes, each stunning in its own right.



Celsius Plus All-In-One

FILTERED: BOILING CHILLED SPARKLING	UNFILTERED: HOT & COLD	FILTERED: BOILING CHILLED	UNFILTERED: HOT & COLD
🔥❄️💧	🔥❄️	🔥❄️	🔥❄️



Celsius Plus All-In-One

HydroTap product information

Technical information

Zenith HydroTap Classic Range

MODEL	ORDER CODE	BOILING	CHILLED	SPARKLING	AMBIENT	SIZE W x D x H (mm)
ZENITH HYDROTAP CLASSIC PLUS						
BCS	H55783Z00NZ	•	•	•		339 x 483 x 333
BC	H55784Z00NZ	•	•			280 x 478 x 333
BA	H55785Z00NZ	•			•	280 x 313 x 333
B	H55786Z00NZ	•				280 x 313 x 333
CS	H55787Z00NZ		•	•		280 x 429 x 333
C	H55788Z00NZ		•			280 x 429 x 333

Note: Optional font kit in Chrome finish for Zenith HydroTap Classic, order code 90915NZZ00.

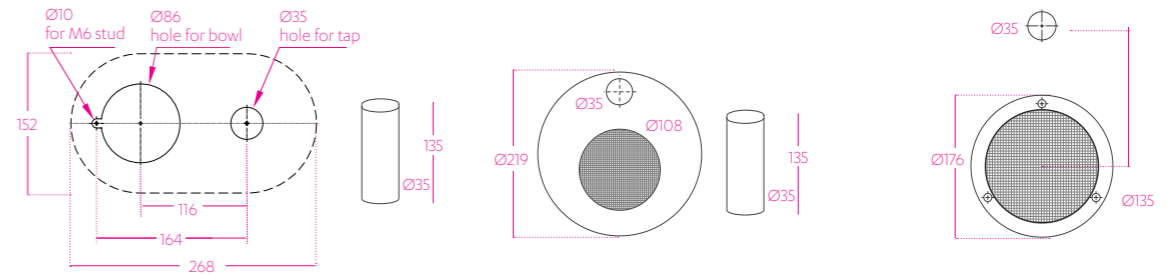
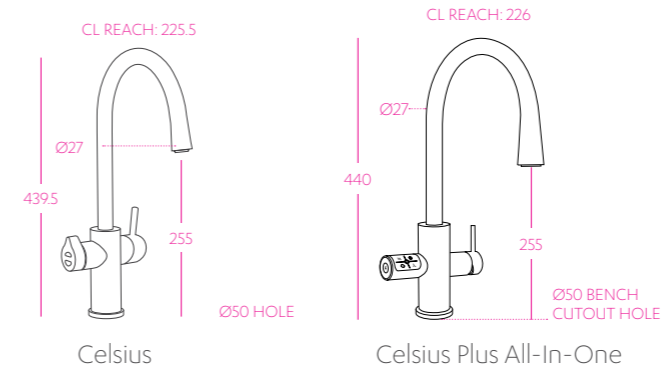
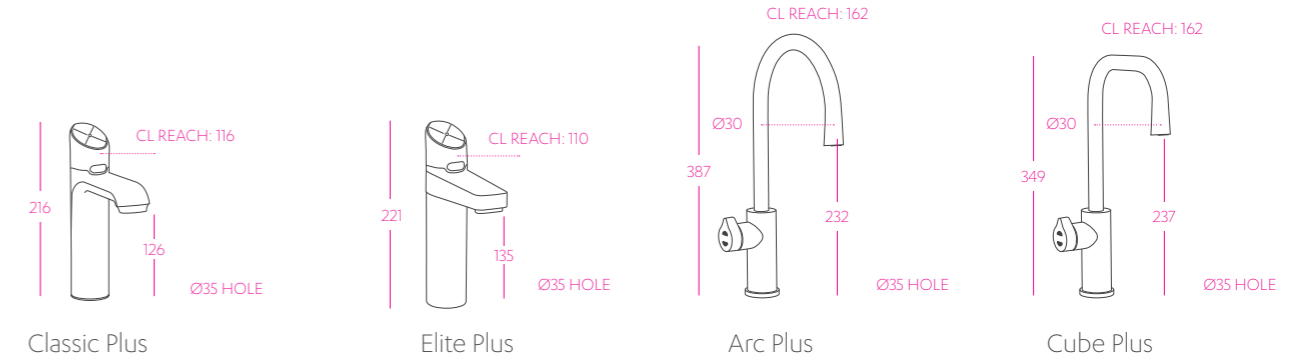
Zenith HydroTap Celsius Range

MODEL	ORDER CODE	BOILING	CHILLED	SPARKLING	AMBIENT	HOT	COLD	SIZE W x D x H (mm)
ZENITH CELSIUS								
CSHA	H57787Z00NZ		•	•		•	•	280 x 429 x 333
BAHA	H57785Z00NZ	•			•	•	•	280 x 313 x 333
ZENITH CELSIUS PLUS ALL-IN-ONE								
BCSHA	H5M783Z00NZ	•	•	•		•	•	339 x 483 x 333
BCHA	H5M784Z00NZ	•	•			•	•	280 x 478 x 333

Zenith HydroTap Design Range

MODEL	ORDER CODE	BOILING	CHILLED	SPARKLING	AMBIENT	SIZE W x D x H (mm)
ZENITH HYDROTAP ARC PLUS						
BCS	H5L783Z00NZ	•	•	•		339 x 483 x 333
BC	H5L784Z00NZ	•	•			280 x 478 x 333
BA	H5L785Z00NZ	•			•	280 x 313 x 333
B	H5L786Z00NZ	•				280 x 313 x 333
CS	H5L787Z00NZ		•	•		280 x 429 x 333
C	H5L788Z00NZ		•			280 x 429 x 333
ZENITH HYDROTAP CUBE PLUS						
BCS	H5C783Z00NZ	•	•	•		339 x 483 x 333
BC	H5C784Z00NZ	•	•			280 x 478 x 333
BA	H5C785Z00NZ	•			•	280 x 313 x 333
B	H5C786Z00NZ	•				280 x 313 x 333
CS	H5C787Z00NZ		•	•		280 x 429 x 333
C	H5C788Z00NZ		•			280 x 429 x 333
ZENITH HYDROTAP ELITE PLUS						
BCS	H5E783Z00NZ	•	•	•		339 x 483 x 333
BC	H5E784Z00NZ	•	•			280 x 478 x 333
BA	H5E785Z00NZ	•			•	280 x 313 x 333
B	H5E786Z00NZ	•				280 x 313 x 333
CS	H5E787Z00NZ		•	•		280 x 429 x 333
C	H5E788Z00NZ		•			280 x 429 x 333

Note: Optional font kit for Zenith HydroTap Arc Plus and Cube Plus in Chrome finish, order code 93441NZZ00. Optional font kit for Zenith HydroTap Elite Plus in Chrome finish, order code 90915NZZ00.



95258NZZ00 Zenith font kit raised Chrome for Classic Plus
 90915NZZ00 Zenith font kit Chrome for Elite Plus and MiniBoil
 93441NZZ00 Zenith Stand alone font kit Chrome for HydroTap Arc Plus and Cube Plus

Accessories



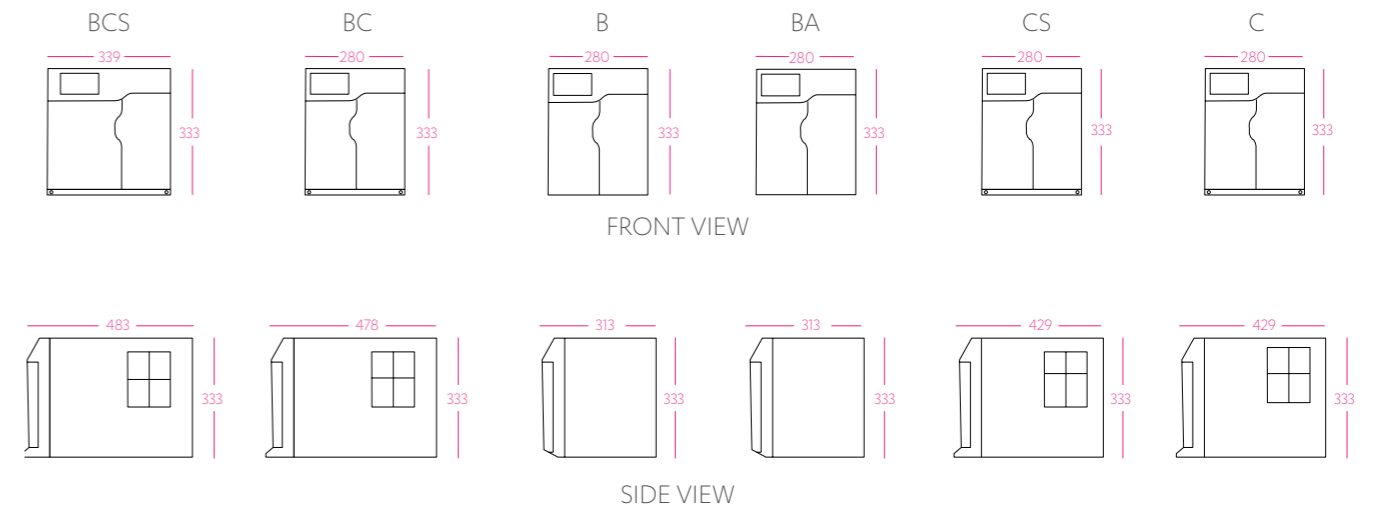
93701NZ
Zenith 0.2 micron residential filter

Suits any current model Zenith HydroTap



91295NZ
Zenith sparkling CO₂ replacement cartridge twin pack

Suits any current residential sparkling model Zenith HydroTap



Disclaimer: for full installation details please refer to the installation instructions which can be found at zenithwater.co.nz



0800 558 055
zenithwater.co.nz